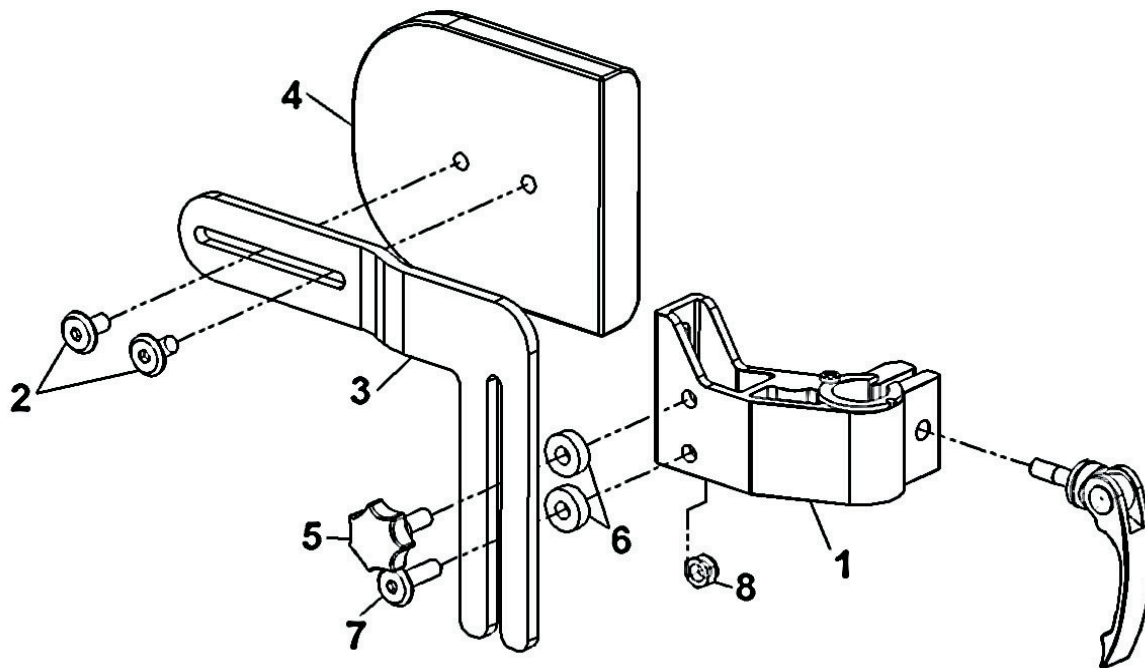


panthera

Assembling the Torso support

Instructions for assembling the torso support:

1. Start by assembling the push handle attachment (1) see the assembly instructions for the height adjustable push handle.
2. Screw the torso support cushion in place (4) with the angle plate (3) using the two screws (2).
3. Attach the cock handle (5) and washer (6) into the push handle attachment (1). NB! Do not tighten the cock handle too much, allow space for the torso support plate (3).
4. Attach the screw (7) and washer (6) into the push handle attachment (1) allowing enough space, 6 or 7 mm between the screw (7) and washer (6), for the torso plate (3) to slide easily between them. When the distance between the screw (7) and washer (6) is satisfactory, tighten the locking nut (8) on the inside of the push handle attachment.
5. Push the torso plate's (3) open tracking down over the cock handle (5) and the screw (7), making sure the washer (6) is between the torso support plate (3) and push handle attachment (1).
6. Adjust the torso support to the desired position and tighten all the screws.



panthera

Panthera Production AB
Gunnebogatan 26, SE-163 53 Spånga Sweden
Office: + 46 8 761 50 40 Fax: + 46 8 621 08 10
panthera@panthera.se www.panthera.se