

## Instructions for assembly Low brakes on a straight framed chassis

### NB!

If you have a chair with a straight frame design, the standard low brakes will not be compatible (the locking arm touches the chassis). You need to make a simple adjustment for the brake to fit. For a low brake compatible with a straight framed chassis you will need a brake which is 6cm wider than the chassis.

### Example:

If your chair is 33cm wide you should order a brake that is 39cm wide.  
If your chair is 36cm wide you should order a brake that is 42cm wide and so on.

You can see below how to adapt your low brake so that it fits a straight framed chair.

### Assembly

1. Take a standard assembly low brake.
2. Unscrew the clamps, nuts and washers shown in Figure 1. (For the article numbers of these details, look at the instructions for assembly for the low brake).
3. Change the side for these details as shown in Figure 2.
4. Screw the brakes together.
5. When you assemble the brakes onto the chassis, the clamps should be located on the outside of the chassis tubing. In all other respects you assemble these brakes in exactly the same way as a "regular" low brake.

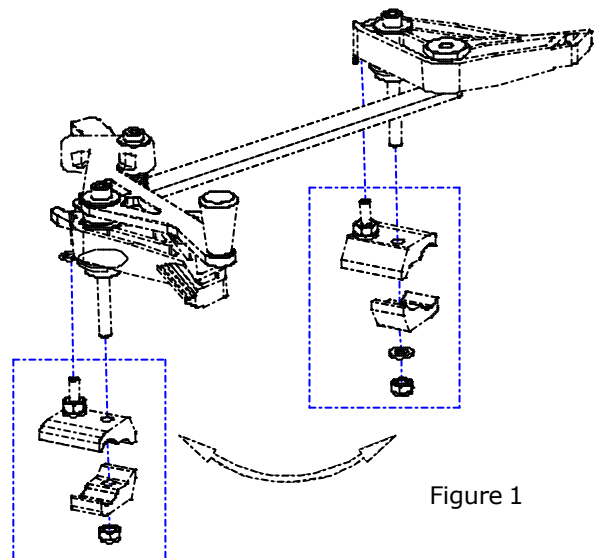


Figure 1

See the instructions for assembly for "Low brakes".

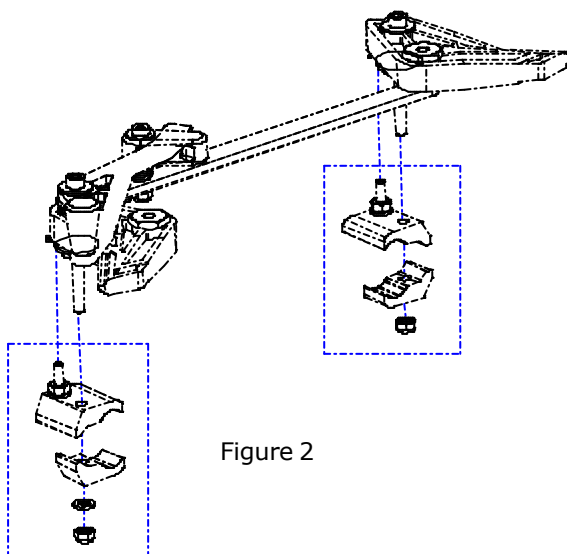


Figure 2

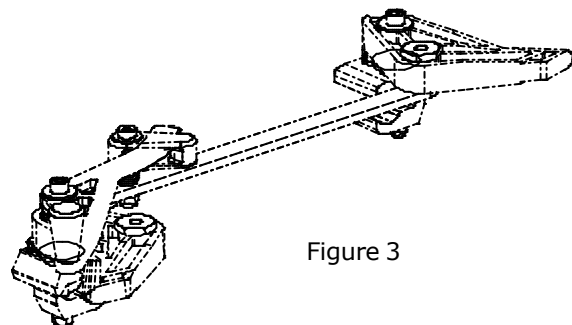


Figure 3