

Assembly instruction

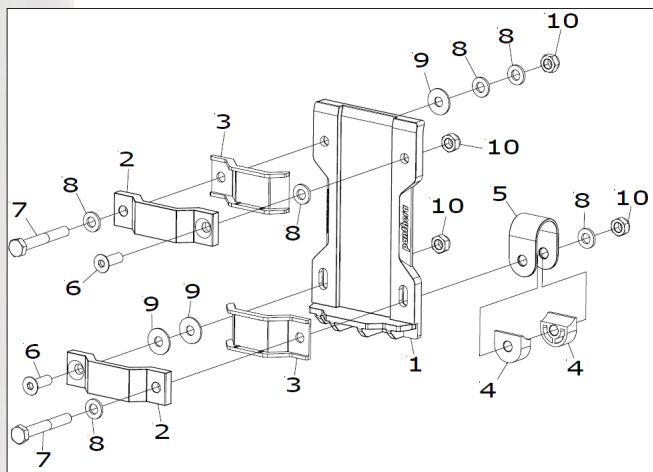
Armrest



Sideguard with armrest



Attachment for sideguard with armrest, left



Mount the attachment on the wheelchair. Loosen the bolts and clamp the bracket around the lower chassis tube. Reassemble the parts so it looks like in the picture. (left side)



Mount the bolt in the upper hole through the frame. Mount washers and the locking nut on the backside.



Tighten the screw and the nut with two 10 mm spanners.

panthera®



Tighten the lower attachment with two 10 mm spanners.



Mount the sideguard with the armrest in the attachment. Adjust the gap with the screws marked with arrows in the picture.