

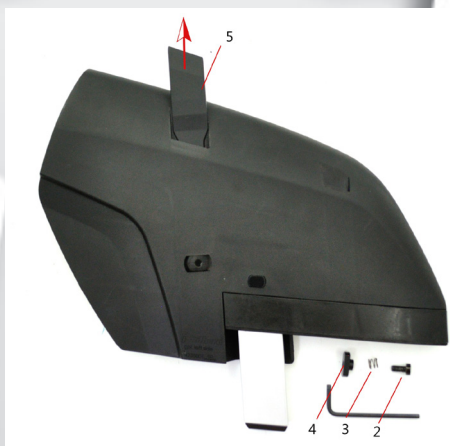


ARMREST BAMBINO 3

Assembly instruction for:
Armrest Bambino 3
art.nr. 4401402, 4401403

Armrest is mounted into the sideguards 42350001 / 42350002

Tools needed:
Allen key 3 mm

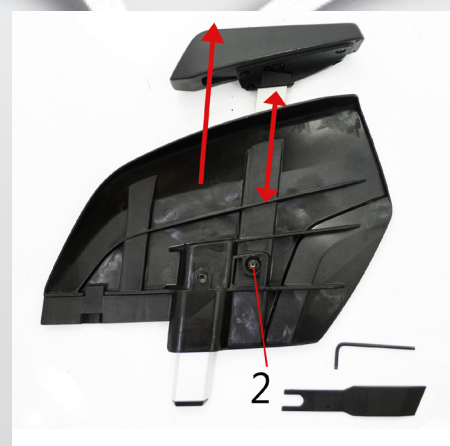


1) 1) Screw, spring and nut, with end plug (pos 5), are pre mounted in the sideguard. To mount the arm rest the plug (pos 5) need to be removed.

a. Remove the screw (pos 2) on the rear side of the side guard. Use an Allen key, 3 mm. Then the end plug (pos 5) is removed. One might need a thin screwdriver, or such, to push out the plug.



2) 2) The armrest is put into the hole where the end plug was located. Put the nut for adjusting the armrest (pos 4) in its groove in front side. Refit the spring (pos 3, fig 1) and the screw (pos 2) on the back. Only screw in the screw a few turns.



3) 3) The armrest is adjustable in height in three fixed positions. Held in place by a spring-loaded screw.

To adjust the height of the armrest, push in the screw (pos 2) (on the backside of the sideguard) then slide the armrest up or down to the desired position. When the desired position is reached, release the screw, then the armrest "clicks in" to desired position. To lock the position, tighten the screw completely.