

Instructions for assembly Tetra quick release

How to assemble your Tetra Quick Release:

1. Insert the bolt (3) through the hole in the plate (1) as shown in figure 1.
2. Hook the plate (1) onto a spoke and insert the bolt at the point where two spokes cross. (See figure 2)
3. Add the washer (5) from the inside so that the plate (1) and washer (5) are located on either side of the spokes.

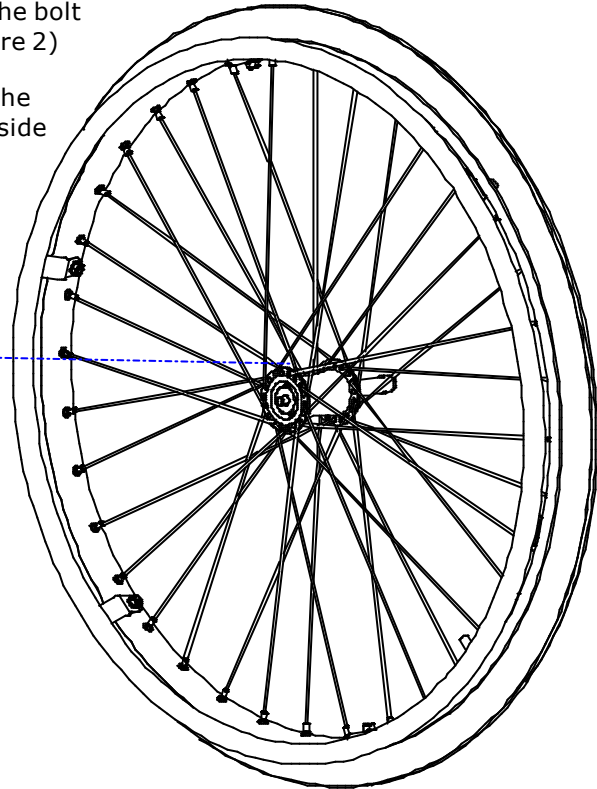
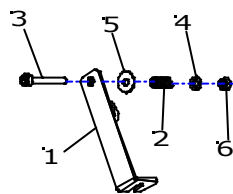


Figure 1

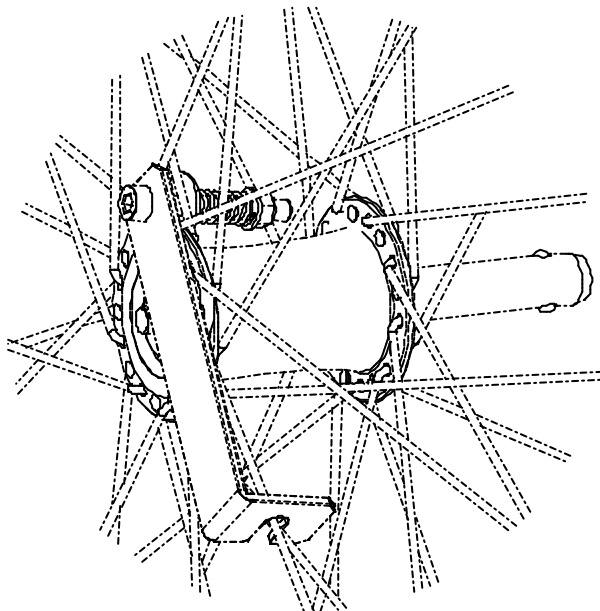


Figure 2