

Instructions for assembly Brake, onehand right

We have developed a new single hand brake available in three width alternatives.

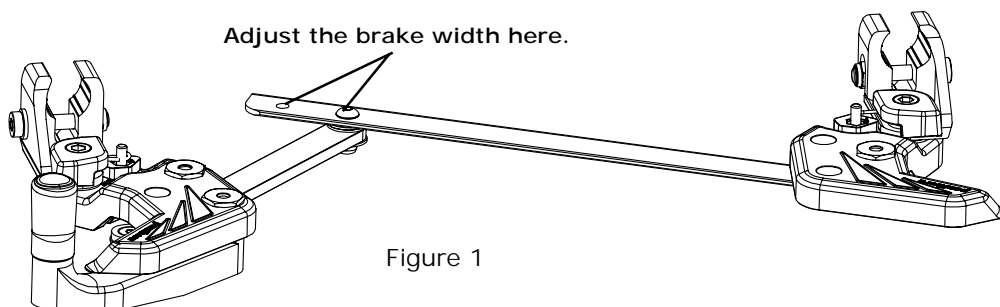
These three brake alternatives fit all our adult chairs, S2, S2 Short (if you don't have a shorter seat depth than 35cm) and U2. (Also fits our old standard chair no longer in production).

Description	Art.no	Suitable for
Brake onehand, new 30-33 right	367 30 33	Chair widths 30 and 33
Brake onehand, new 36-39 right	367 36 39	Chair widths 36 and 39
Brake onehand, new 42-45 right	367 42 45	Chair widths 42 and 45

The brake has to be prepared before being assembled onto the chair. It should be adjusted according to the model of chair it will be attached to. Since each brake fits two different widths of chair, this should also be adjusted before assembly.

How to prepare your single hand brake:

1. Start by checking the width of the chair on which the brake will be assembled.
2. Adjust the correct width on the brake. On the middle rod there are two holes for adjusting the width of the brake. **See figure 1.** Loosen the nut and adjust to the desired width. On the brake 30-33, the inner hole is for width 30. On brake 36-39 the inner hole is for width 36, and so on.



Please turn over!

panthera

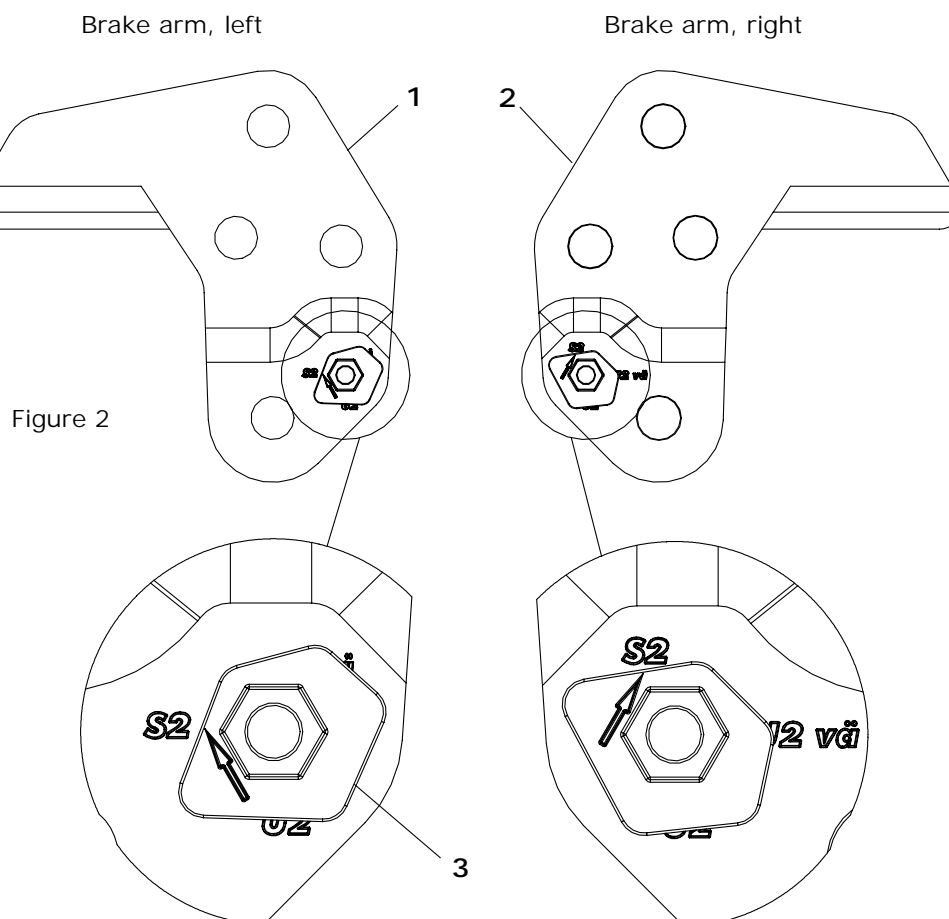
Panthera Production AB
Gunnebogatan 26, 163 53 Spånga, Sweden
Tel: +46 (8) 761 50 40 Fax: +46 (8) 621 08 10
panthera@panthera.se www.panthera.se

Instructions for assembly Brake, onehand

3. Check which model chair the brake will be assembled on.
4. There is a locking arm on both sides of the brake (1 and 2). See figure 2. A stop block (3) is attached to these locking arms. Locking arm left (1) has four different markings stamped on it (S2, S vä, U2 and 4). Locking arm right (2) has three different markings stamped on it (S2, U2 and U2 vä).
5. On the stop block (3) there is an arrow. This stop block should be assembled onto the locking arm with the arrow pointing the right way depending on which alternative single hand brake you require. Loosen the socket head nut holding the stop block in place, lift upwards and turn to the correct position for your chair. See figures 2 and 3.

Adjust the brake for S2

When you adjust the brake for the S2 the arrow on the stop block should point towards the 'S2' on both sides. (See the final page for assembly of the brakes on the chair).



Please turn over!

Instructions for assembly Brake, onehand

Adjust the brake for U2

When you adjust the brake for U2 the arrow on the stop block should point towards the "U2" on the left side, and "S2" on the right side.
(See the final page for assembly of the brakes on your chair).

Brake arm, left

Brake arm, right

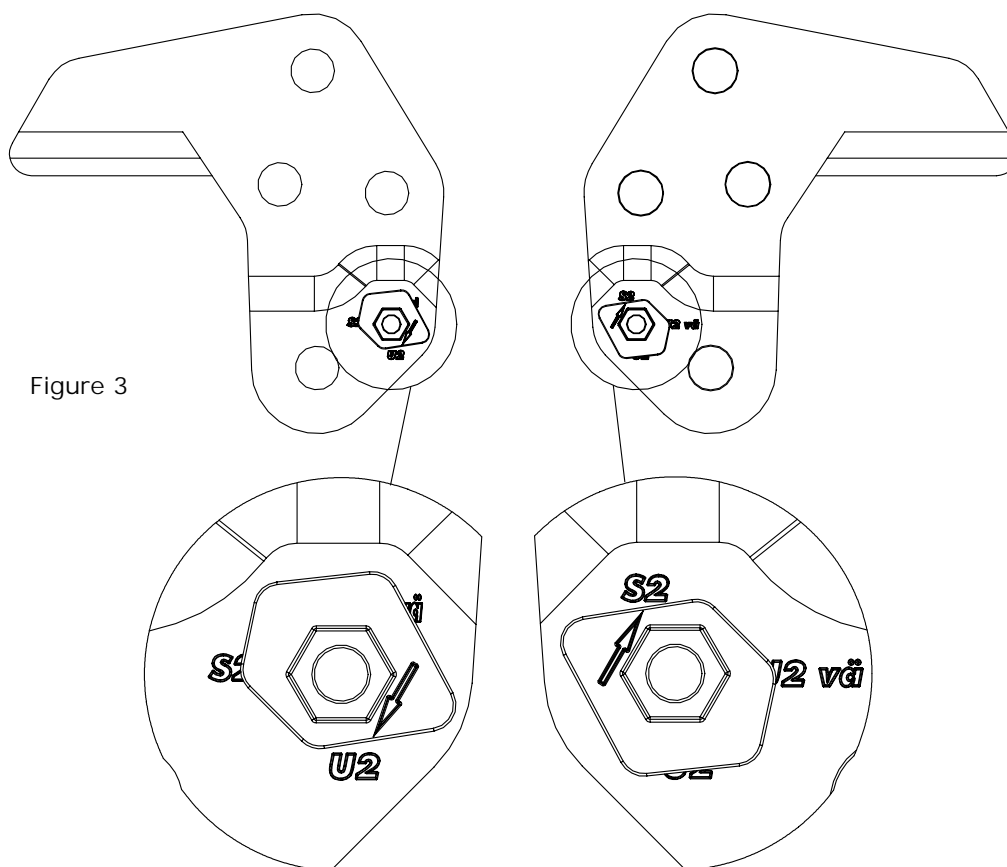


Figure 3

Please turn over!

Instructions for assembly Brake, onehand

How to assemble the single hand brake on your chair:

1. The brake should be fastened onto the frame tubing directly underneath the seat upholstery.
2. First loosen the fastening screw to enable you to separate the fastening clamps. You can do this with the enclosed T-key. **See figure 4.**
3. Then place the brake in position, towards the front. Tighten the screws on both sides so that the brake is almost fixed but can still be moved forwards/backwards by hand.
4. Pull the brake out.
5. Move the brake back so that the locking arm rests against the tyre.
6. Check that the brake is as far forward on both sides of your chair.
7. Push the brake in and move it about 5mm back.
8. Before you tighten one side, check that the brakes are fastened so that they are level on both sides. You can check this by twisting the brake forward and back as much as it will go and then find the middle position.
9. You then tighten the screws securely.

Loosen this nut on both sides
(to separate the clamps).

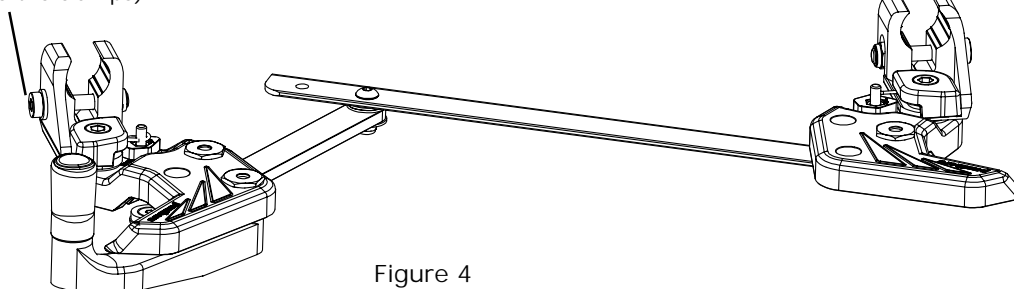


Figure 4